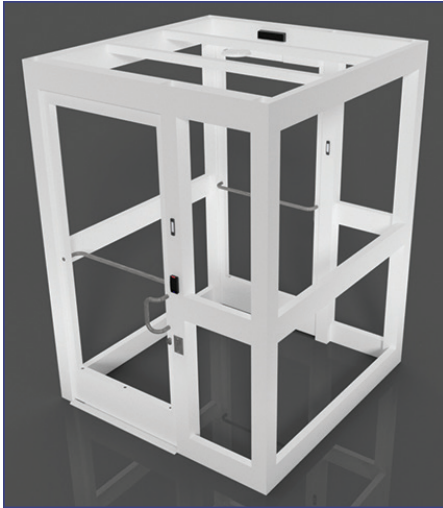




# ISOTEC

Protect What Matters

## Single Lane Access Control Entrance



This Single Lane Access Control Entrance is a compact, bi-directional interlock portal, designed to prevent unauthorized personnel from entering a facility. This entrance incorporates a high strength tubular aluminum structure with heavy-duty narrow stile doors and closer hardware. Locks, sensors, displays, and control electronics are incorporated for variety of interlocking door functions. The entrance can serve as a “stand alone” Security Entrance or interface with an existing security network.

Hardware and operational scenarios for site specific applications are available along with UL ballistic resistant glass & frames. The portal comes completely wired, partially assembled and ready to install.

*Call us today at 303.974.7699 or email us at [sales@isotecinc.com](mailto:sales@isotecinc.com) for more information.*



**Synergy Tablet  
Touchscreen Display**

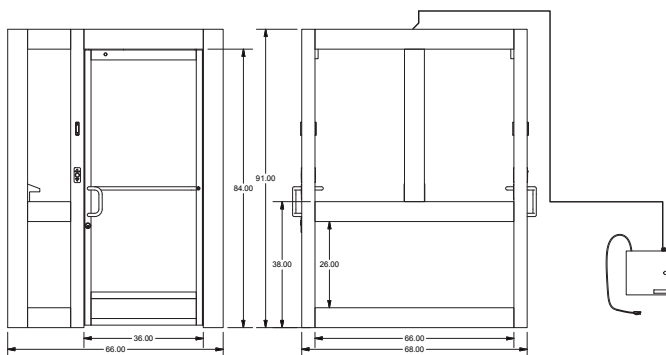


### Optional Features

Ballistic Glass Upgrades: UL 752 Compliant Levels I – III

Isotec's Vibrant desktop console or Rugged Rugged Rover tablets can be Ethernet connected or wireless.

Anti-tailgating, Anti-retract, Intercoms, Video, Voice Prompts, Custom Color Matching, and Automatic doors.



Customer Access Interface  
(Customer supplied Host for card, biometric, etc. readers)

### Minimal Site Dimensions

Height 91"

Width 67"

Length 69"

QSL025 ms 12-27-18



Made in the U.S.A.



Contract Holder  
Contract GS-07F-040BA



# Single Lane Access Control Entrance

## Base Entrance Description

### Standard Structure

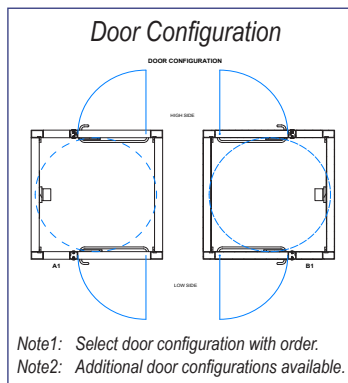
- 6668 Model 1/8" wall 6061 Aluminum Structure
- Both doors swing out from portal
- Tested or Rated UL 972 Anti-Attack Glass
- Melamine ceiling with vent
- White or Bronze Color

### Standard Features

- (1) Overhead LED
- (4) Status Displays
- (2) Occupancy Sensors
- (2) Door Position Sensors
- (1) Power Supply
- (2) Maglocks
- (1) Maintenance Touch Screen
- (1) Power Supply with 30 minute battery back up

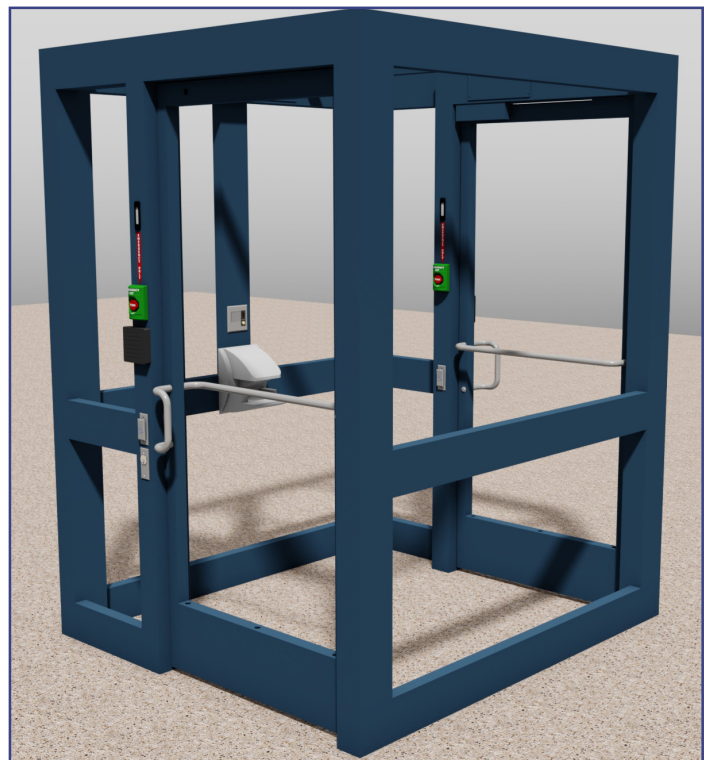
### Options

- (1) ATG Entry with Voice Prompt
- (1) ATG Exit with Voice Prompt
- (1) Lockdown Voice Prompt
- (1 or 2) Wireless Tablet Console
- (1 or 2) Wired Tablet Console
- IP Camera(s) only when Tablet console is used
- IP Intercom(s) only when Tablet console is used
- (1) Power Supply with battery back up
- Approach Sensor to allow entry or exit into the portal (used in place of screening device)
- Door Release Push Button to allow entry or exit into the portal (used in place of screening device)



### Miscellaneous

The entrance comes wired and factory tested for compliance. Specifications and scenario of operations including selected options, are included in the Installation/Operations and Technical Manuals provided with each entrance.



## Services

- Installation Supervision
- Operator Training
- Technician Certification
- 24/7 Technical Support

QSL025 ms 12-27-18