



ISOTEC

Protect What Matters

Single Lane Access Control Portal



This Single Lane Access Control Entrance is a compact, bi-directional interlock portal, designed to prevent unauthorized personnel from entering a facility. This entrance incorporates a high strength tubular aluminum structure with heavy-duty narrow stile doors and closer hardware. Locks, sensors, displays, and control electronics are incorporated for variety of interlock functions with Isotec's Synergy Tablet to monitor, configure, and diagnose alarms, operational scenarios and hardware operation. The entrance can serve in a "stand alone" capacity or seamlessly interface with an existing security network.

Hardware and operational scenarios for site specific applications are available along with UL ballistic resistant glass & frames. The portal comes completely wired, partially assembled and ready to install.

Call us today at 303.974.7699 or visit our website at IsotecSecurity.com for more information.

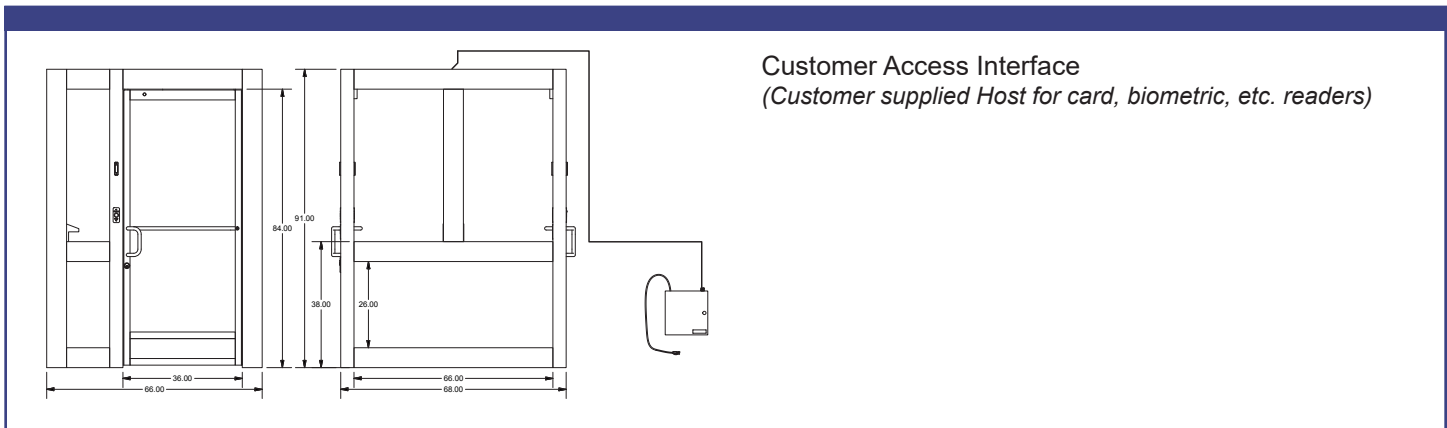


**Synergy Tablet
Touchscreen Display**



Optional Features

- Ballistic Glass Upgrades: UL 752 Compliant Levels I – III
- Anti-tailgating, Intercoms, Video, Voice Prompts, Custom Color Matching, and Automatic doors.



Made in the U.S.A.



Contract Holder
Contract GS-07F-040BA



Single Lane Access Control Portal

Base Entrance Description

Construction

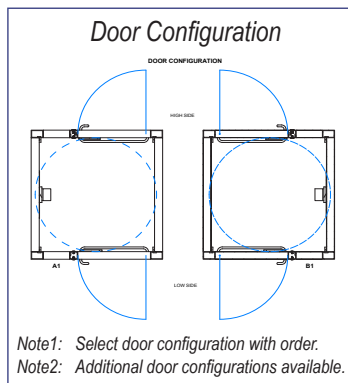
The structure is fabricated from extruded high tensile strength aluminum tubing, providing an extremely durable platform.

The structure is fitted with 36"x84" narrow stile heavy duty doors, closers and related hardware to accommodate heavy loads from a variety of ballistic composite panels up to UL Level III, if required. The standard glass panels provided in this structure meet UL 972 specifications. Each door is provided with 1" diameter solid brushed stainless steel push bar and pull handles to provide an attractive appearance to the structure.

Control Devices

Each door is provided with a 1200lb. overhead magnetic lock and appropriate sensors for low maintenance operation. Also provided is a fail secure deadbolt lock on the high side door in case of any power failure.

Each Access Control Entrance is provided with a Programmable Logic Controller that enables site specific operational capabilities. These sensors, when coupled with Isotec's optional Anti-tailgating sensors, enforce single person occupancy and entrance protocols. The controller and all selected devices are powered by a UL Listed 24 Volt 6.5Amp power supply all located in a lockable, tampered protected swing down ceiling panel also supporting interior lighting and various devices as may be required. Power is routed through a 3/4" conduit stub while all external signals are stubbed out through a 1-1/2" stub.



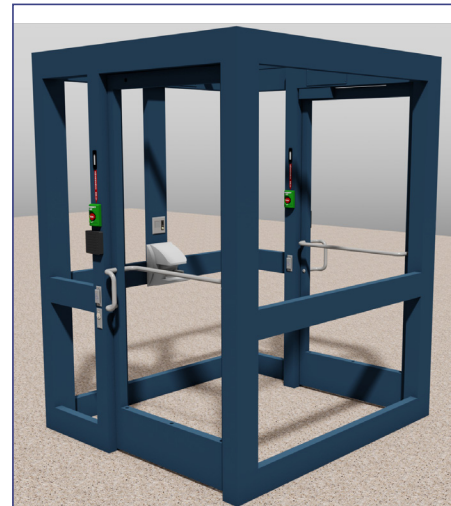
Motion sensor(s) indicate when someone has entered. These sensors when coupled with the optional Isotec Anti-tailgating sensors provides for single occupancy monitoring of the entire structure.

Miscellaneous

The entrance comes completely wired and factory tested for compliance including selected options. Installation/ Operations and Technical Manuals are provided with each entrance.

Minimal Dimensions

Height 91"
Width 67"
Length 69"



Services

- Installation Supervision
- Operator Training
- Technician Certification
- 24/7 Technical Support

QSL006 djb Rev1 9-14-18



Made in the U.S.A.

Isotec Security Inc.
1130 West 124th Ave.
Westminster, CO 80234
303-452-0022

