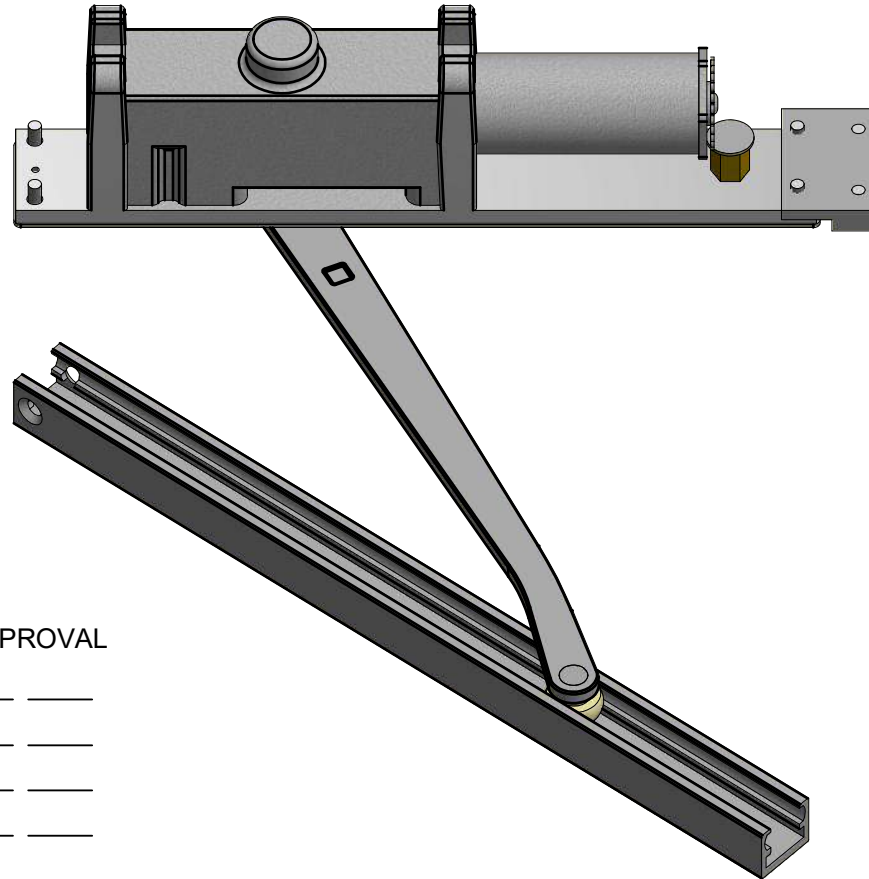


REVISION HISTORY			
BY	REV	DESCRIPTION	SHT
DAN		INITIAL RELEASE	
DAN	V2 09-23-16	Screw to 1/4-20 Stainless Steel	4
DAN	V3 09-23-16	Added BLUe LOCTITE	2
		swapped header rail for DOORHDR-MOD	ALL
		Corrected Description to ASSY only	ALL
DAN	V3.1 10-18-16	Changed Header Shown	4
DAN	V3.2 01-04-17	ADDED GREASING INSTRUCTION FOR ROLLER	2,5



DOCUMENT REVIEW AND APPROVAL

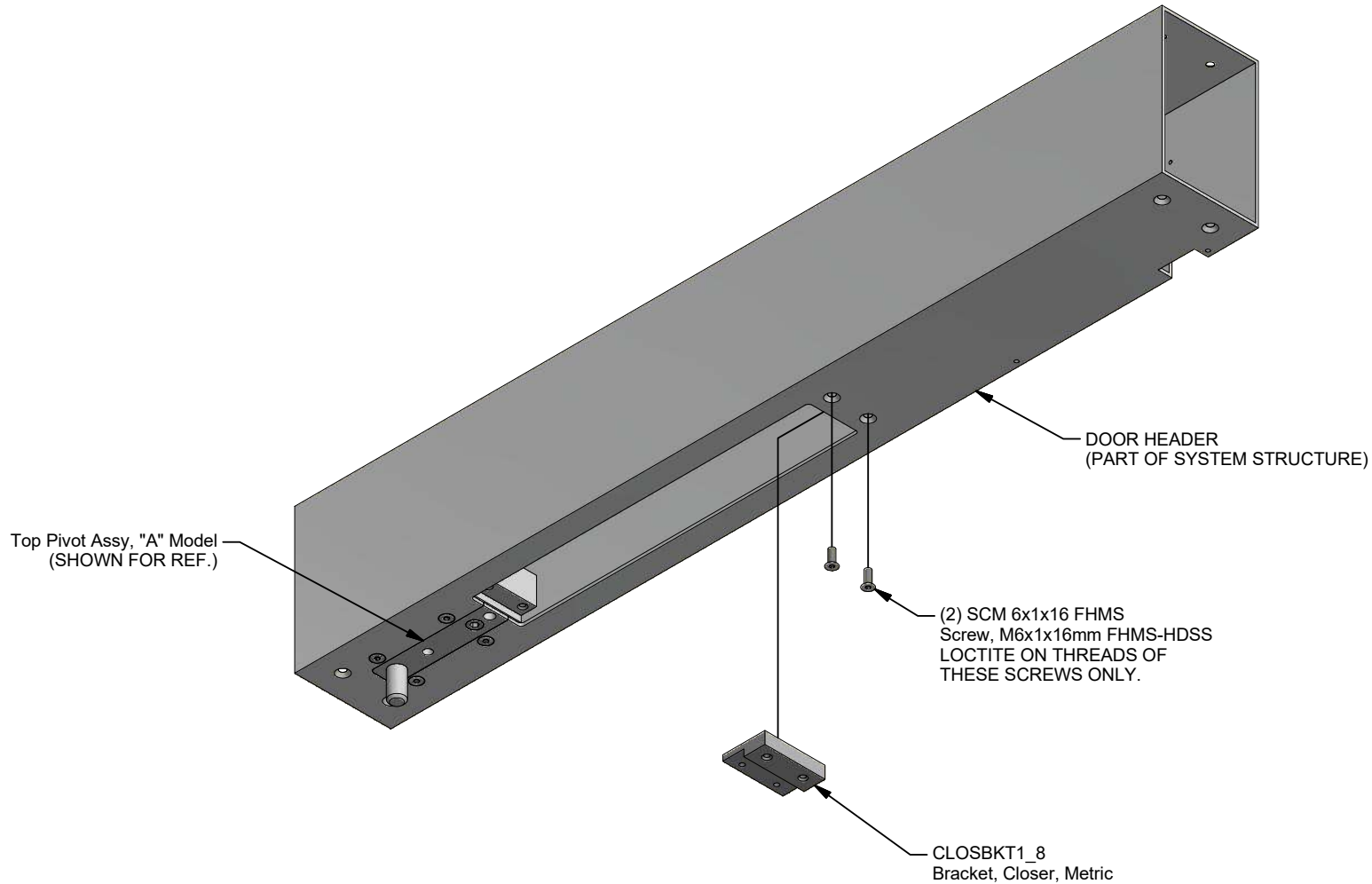
- CAD _____
- ENGINEERING _____
- PRODUCTION _____
 - MACHINIST #1 _____
 - MACHINIST #2 _____
- PROJECT MANAGEMENT _____
- OTHER _____

V4.4 Rev A 03-06-15
 CHANGE IN FIT OR FORM _____
 INTERNAL CLARIFICATION _____
 CUSTOMER CHANGE OR CLARIFICATION _____
 CURRENT DATE _____

DC10 R or L - ASSY, INTERNAL CLOSER

Revisions





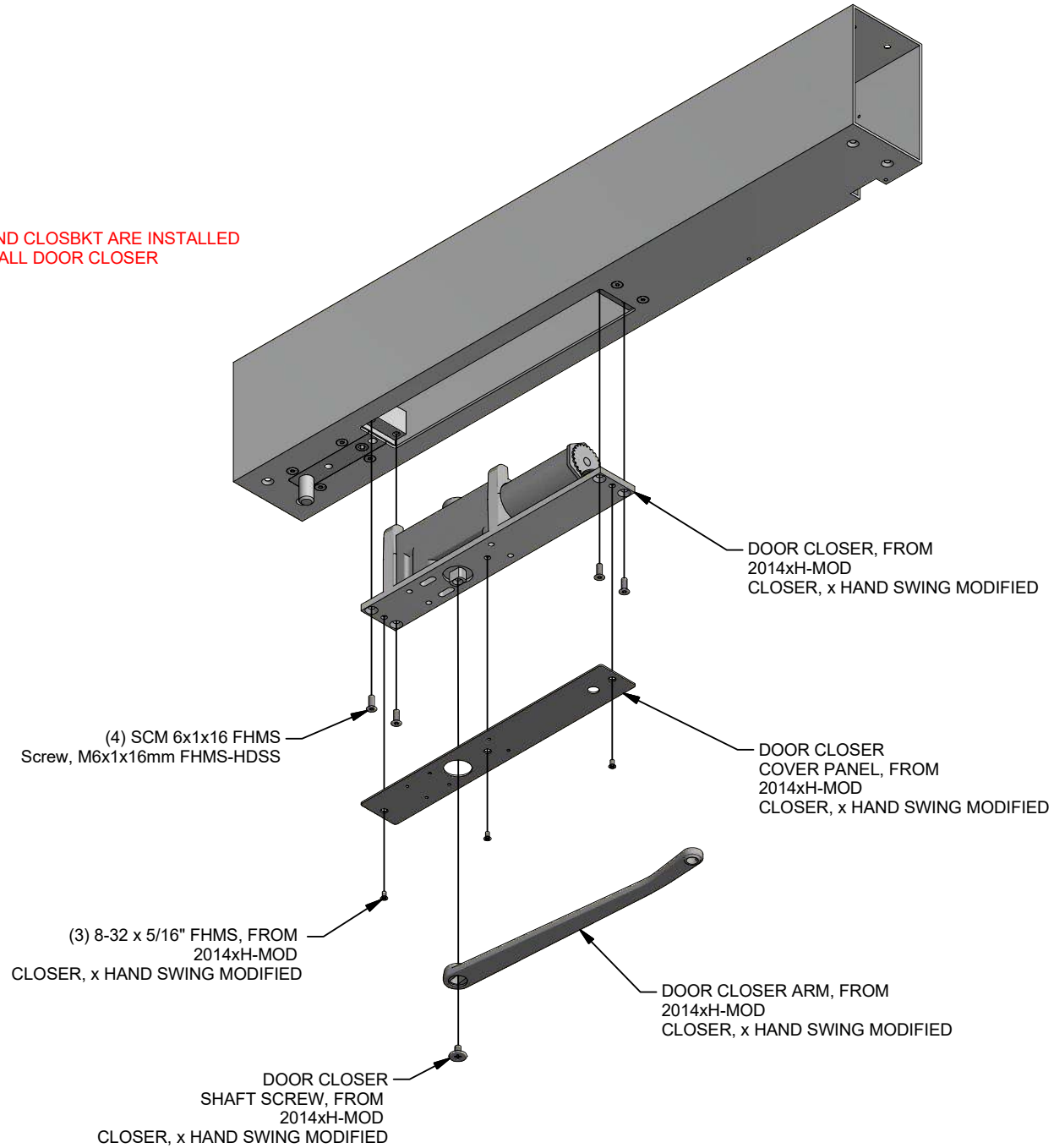
NOTES:

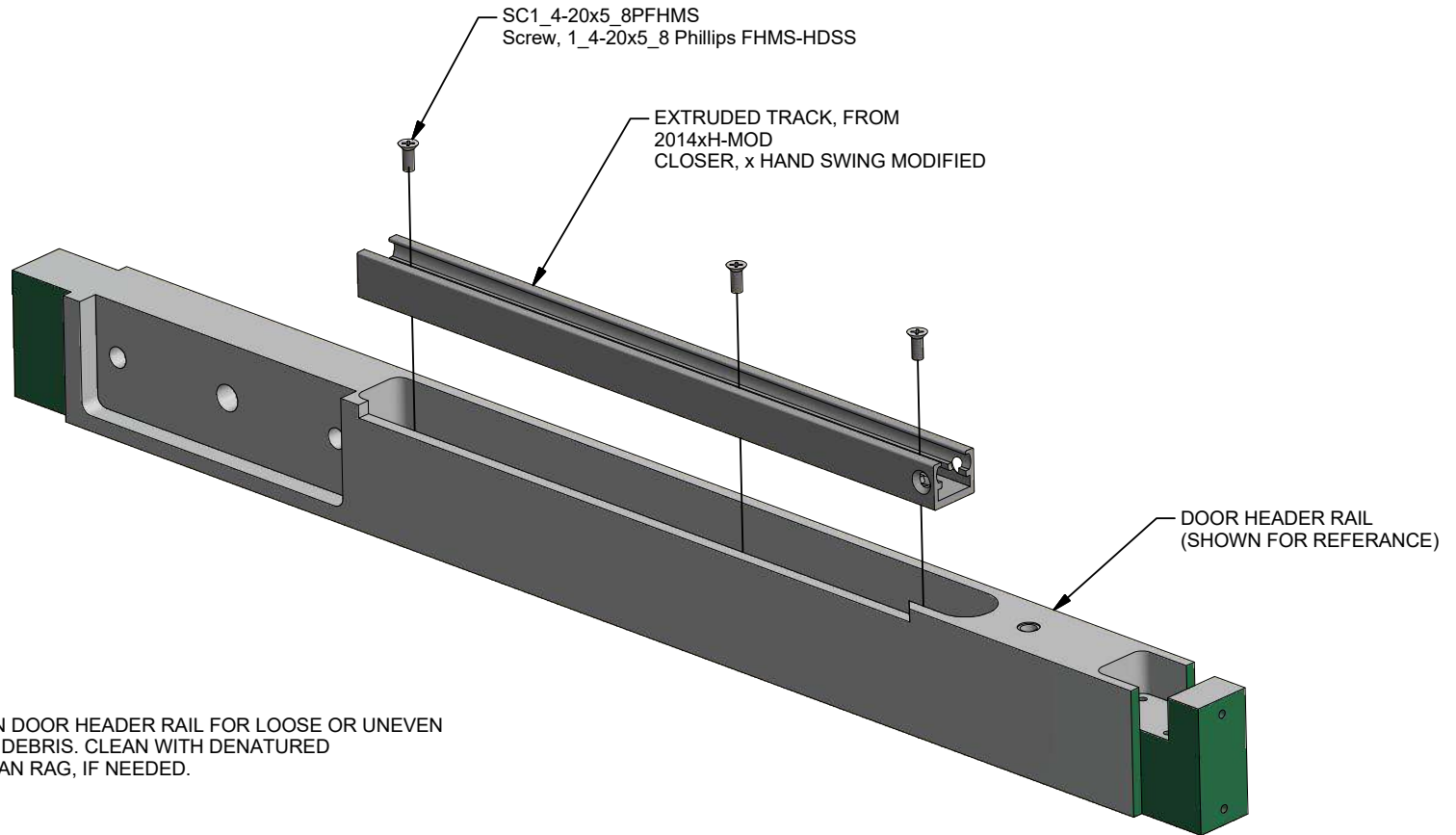
1. TOOLS:
 - 3/32 ALLEN WRENCH
 - 5/32 ALLEN DRIVER
 - #2 PHILLIPS HEAD SCREW DRIVER
 - #3 PHILLIPS HEAD SCREW DRIVER
 - DENATURED ALCOHOL
 - CLEAN RAG
 - LOCTITE #37614 BLUE THREAD LOCKER
 - WD-40 #300240 SPECIALIST PROTECTIVE WHITE LITHIUM GREASE

**DC10 R or L - ASSY, INTERNAL CLOSER
CLOSBKT1_8 INSTALLATION**

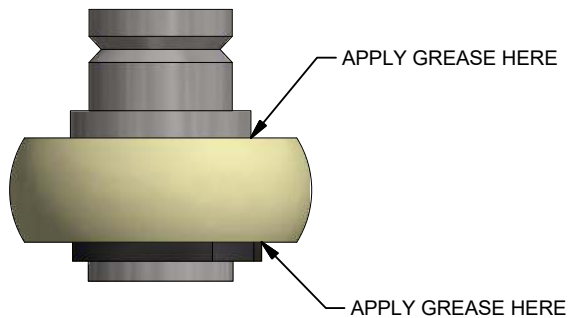
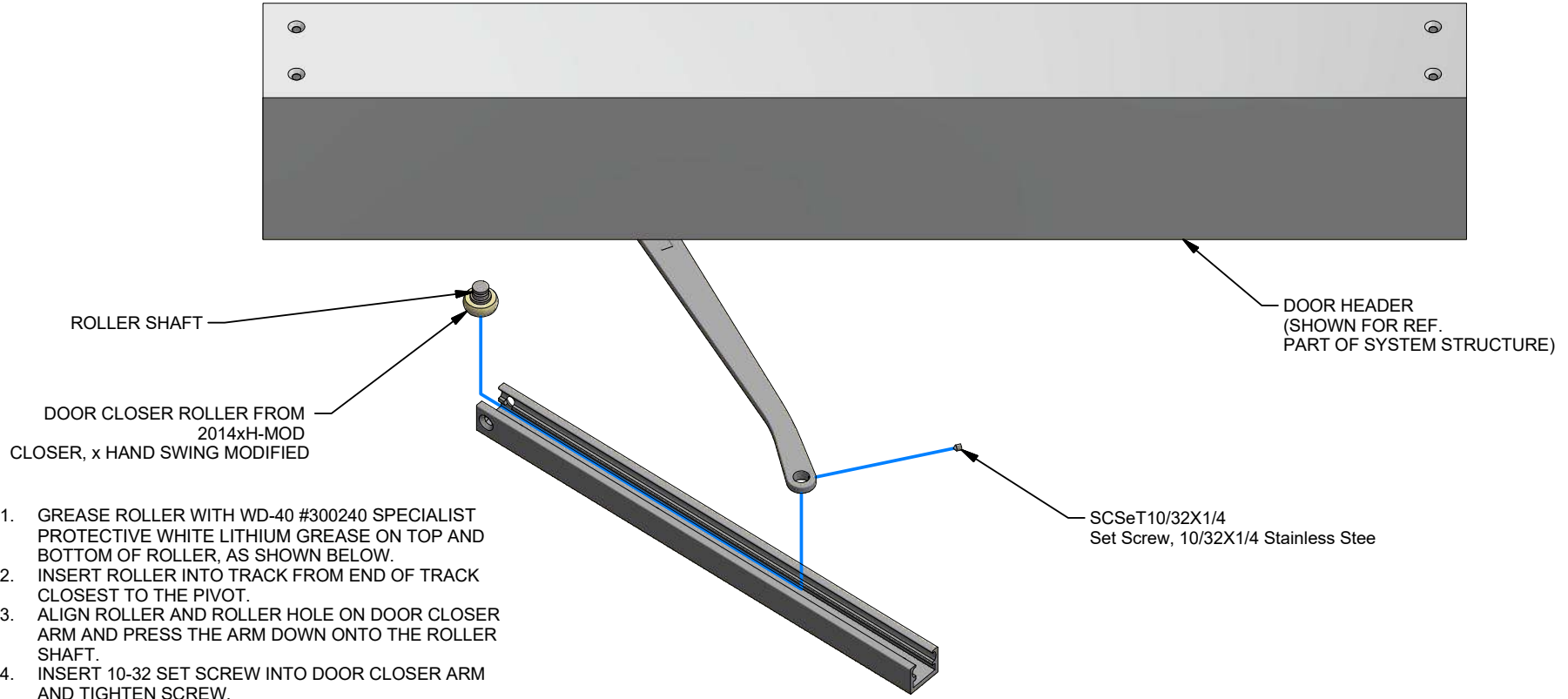


ENSURE Top Pivot Assy, "A" Model AND CLOSBKT ARE INSTALLED BEFORE TRYING TO INSTALL DOOR CLOSER





CHECK CHANNEL IN DOOR HEADER RAIL FOR LOOSE OR UNEVEN POWDER COAT OR DEBRIS. CLEAN WITH DENATURED ALCOHOL AND CLEAN RAG, IF NEEDED.



DC10 R or L - ASSY, INTERNAL CLOSER

ROLLER INSTALLATION