

Synergy Configuration Guide



Base Synergy Configuration

Synergy Console



Wireless
Remote Control
Receiver



Interconnect & serial

Intercom audio

Video



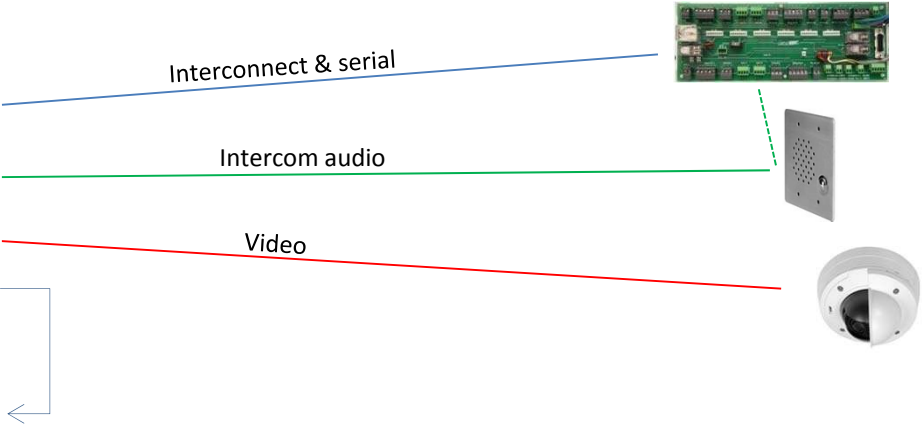
WCS Motherboard



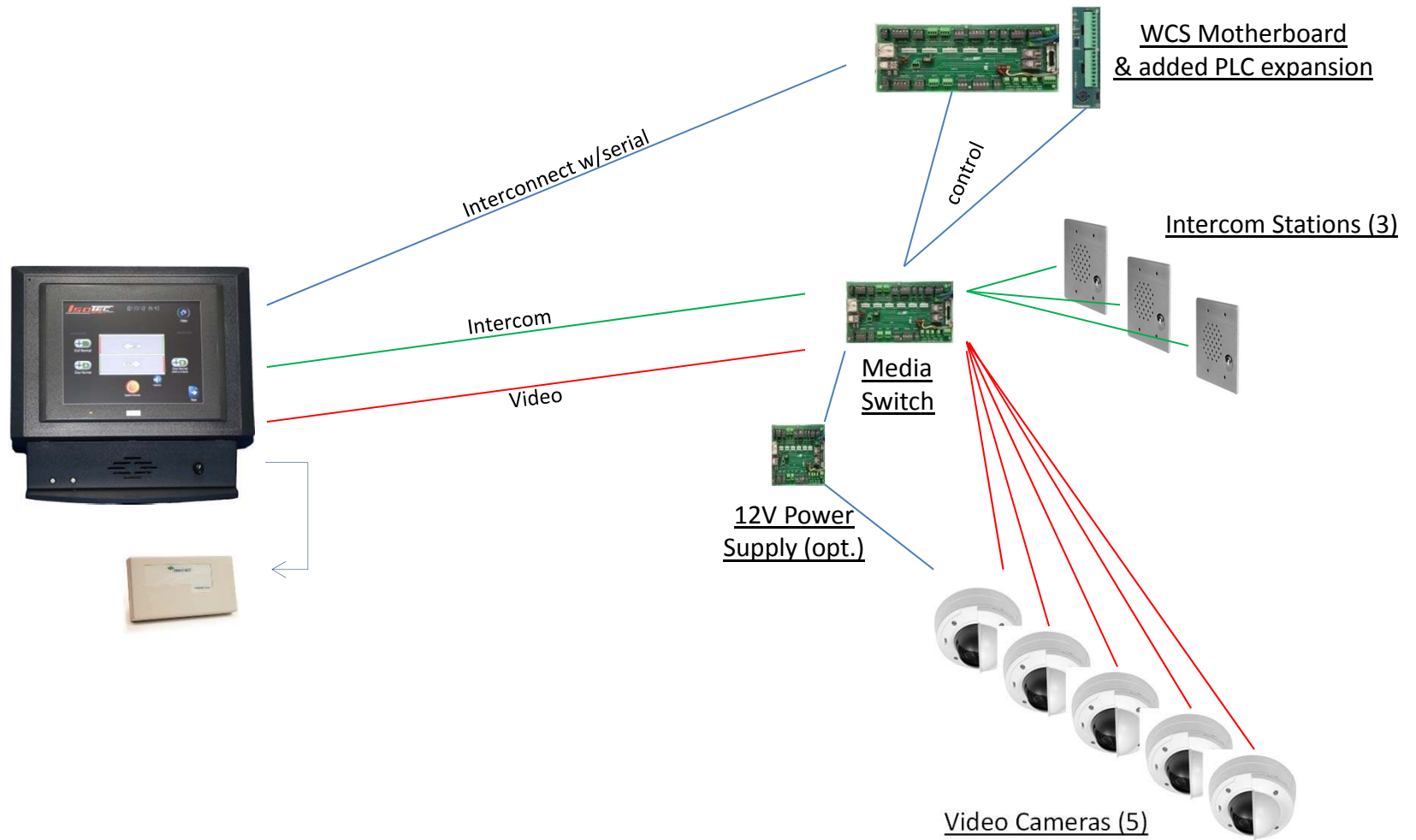
Intercom Station



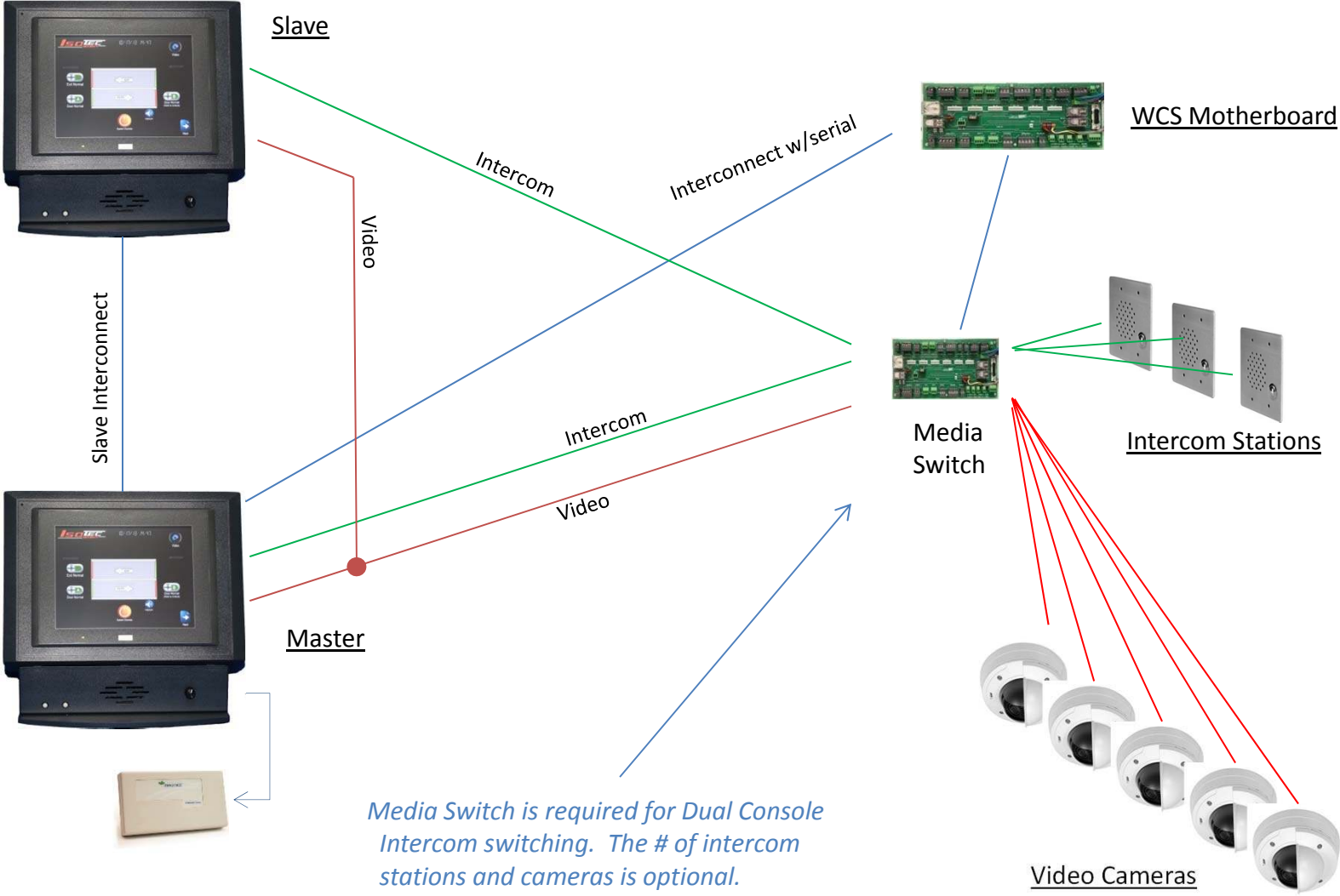
Video Camera



Media Switch Configuration



Dual Console Configuration



This Console is currently

OFF LINE

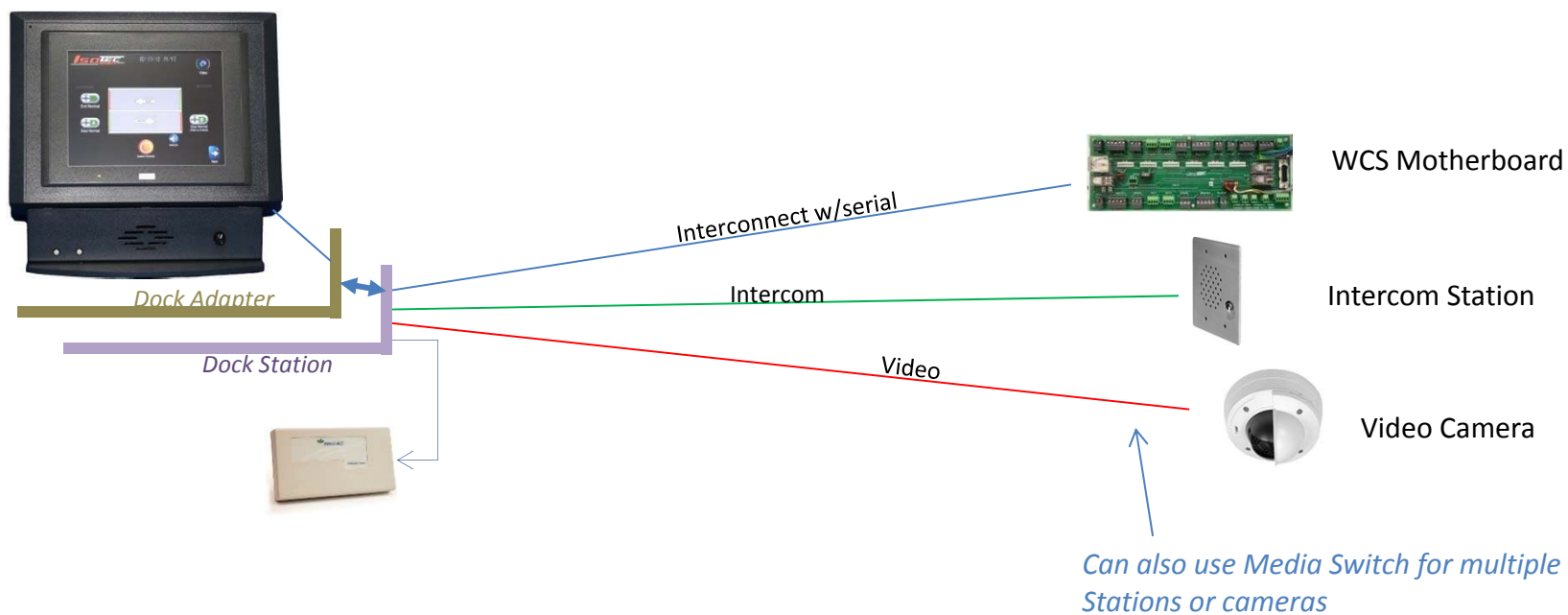
*Press below to take
Control from Slave Console*



m

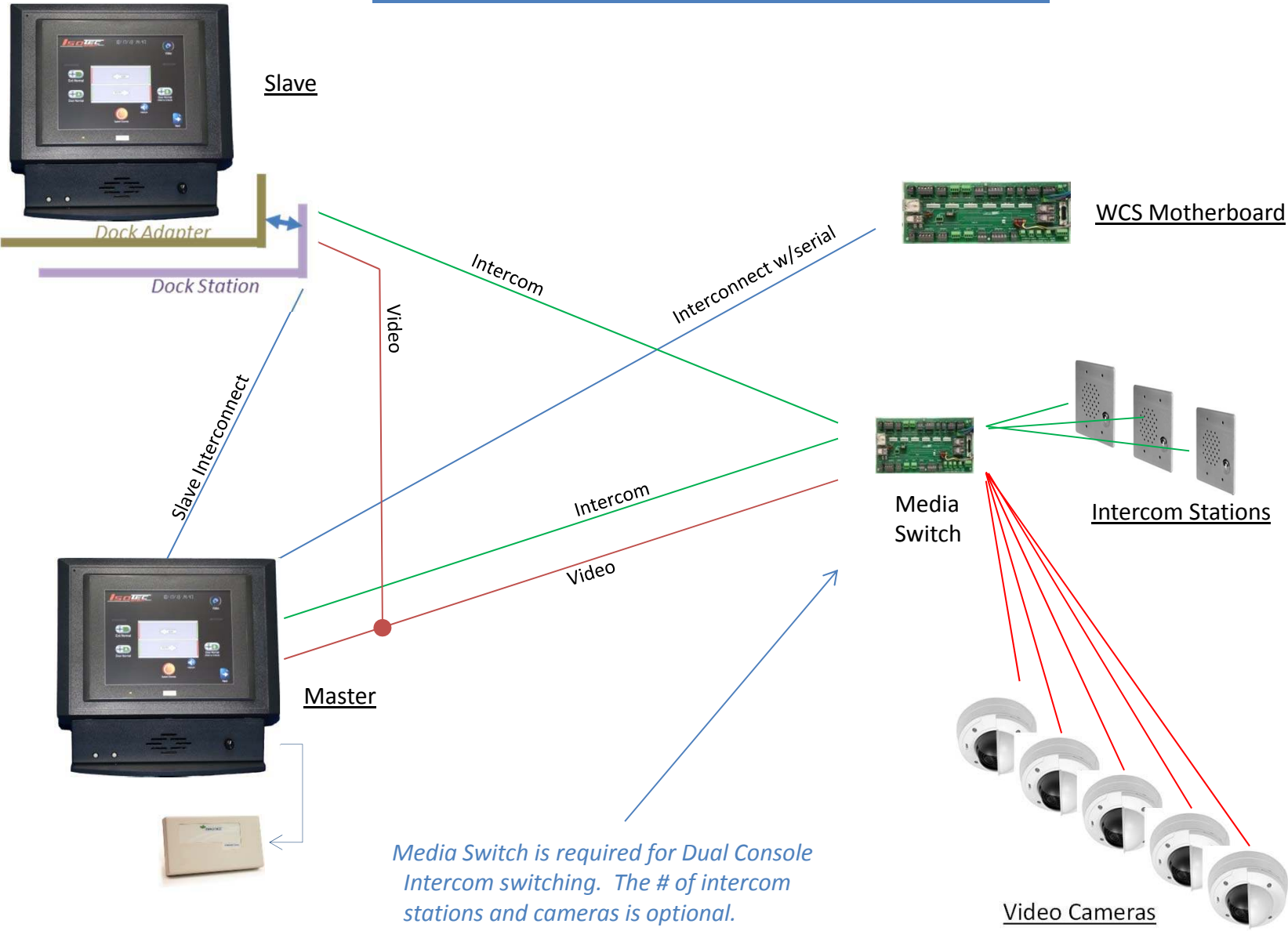
Single Console Dock Configuration

Standard Console



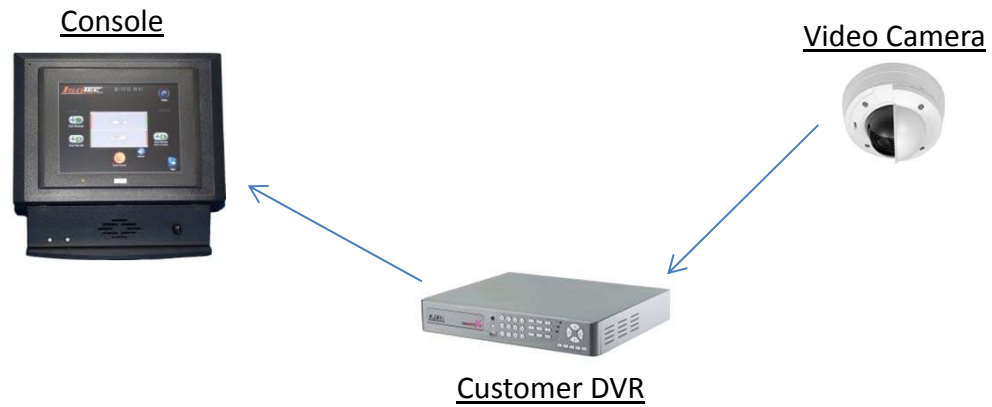
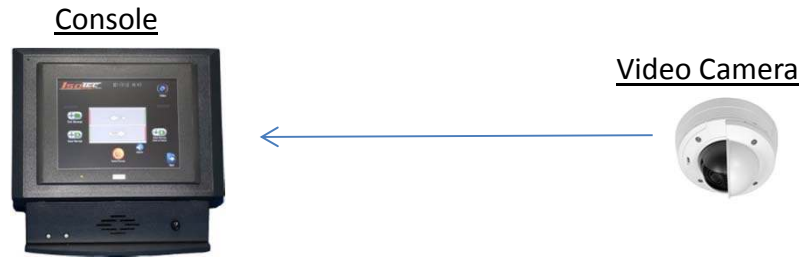
*Dock Adapter mounts to console in place of standard weighted foot.
Dock Station rests on desk surface and accepts Dock adapter. Mating the two aligns a spring loaded contact set that connects the two parts.
Standard Interconnect cable(s) are used from Dock to Portal.
Short cables go from standard console connectors to the Dock Adapter.*

Dual Console/Dock Slave Configuration



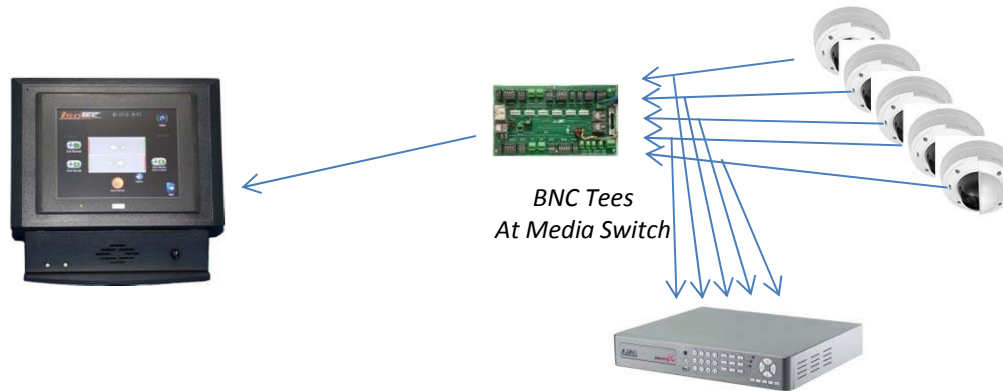
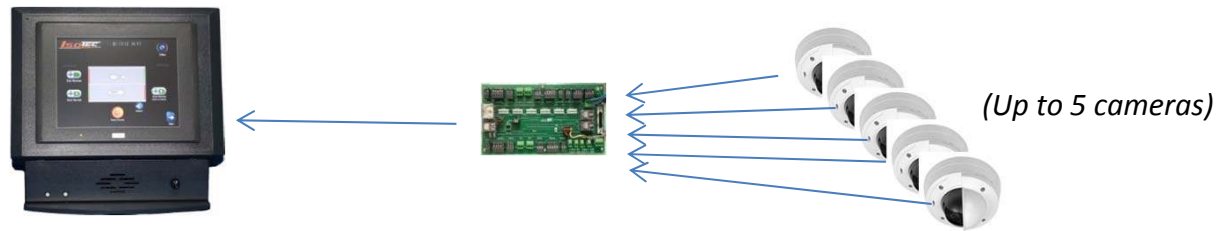
Video Wiring Alternatives

Single camera

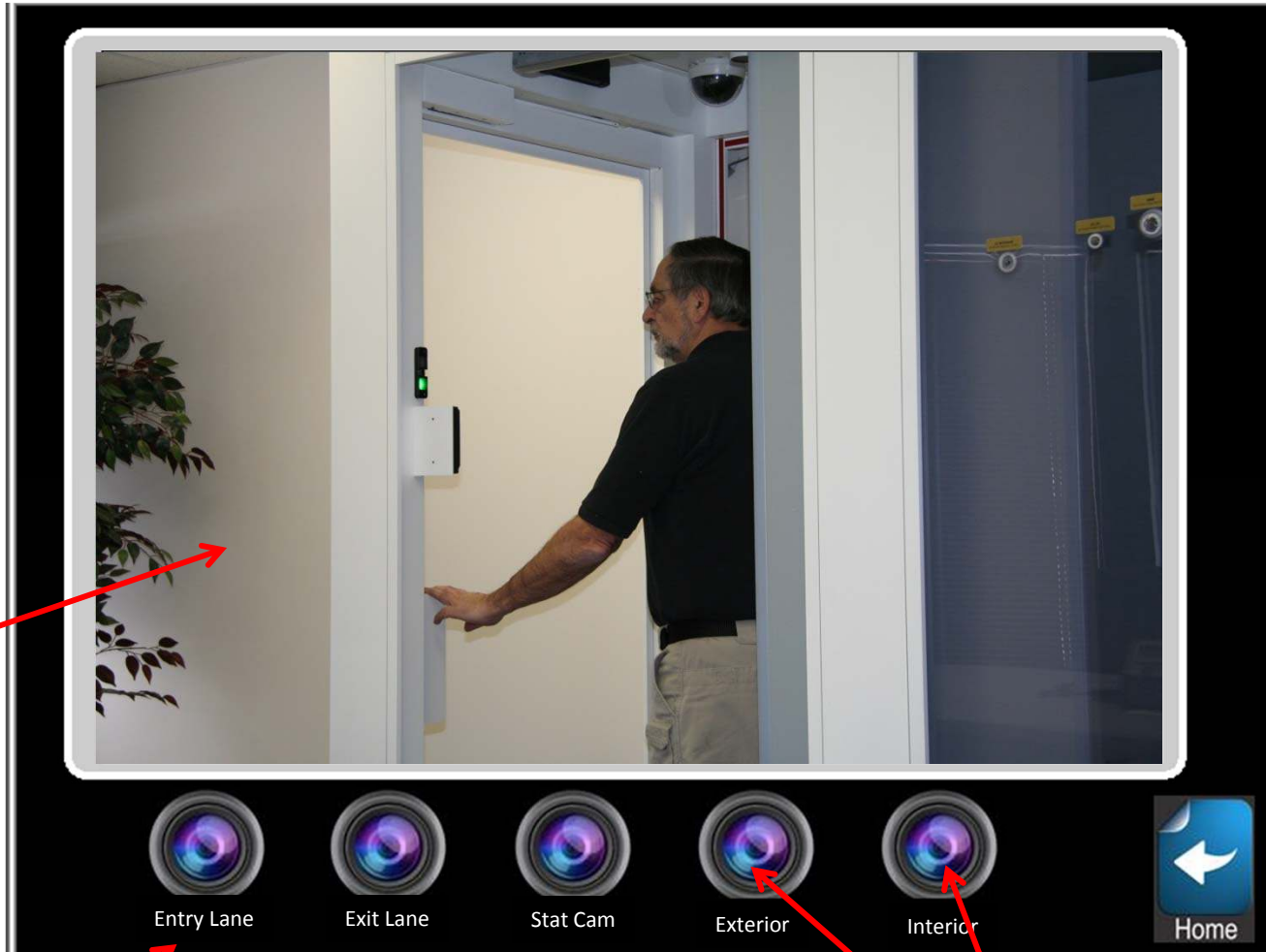


Video Wiring Alternatives

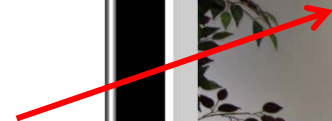
Multi-camera using Synergy to switch



Synergy Video Switching



*Large Color
Video Display*



*Field Configurable
button labels*

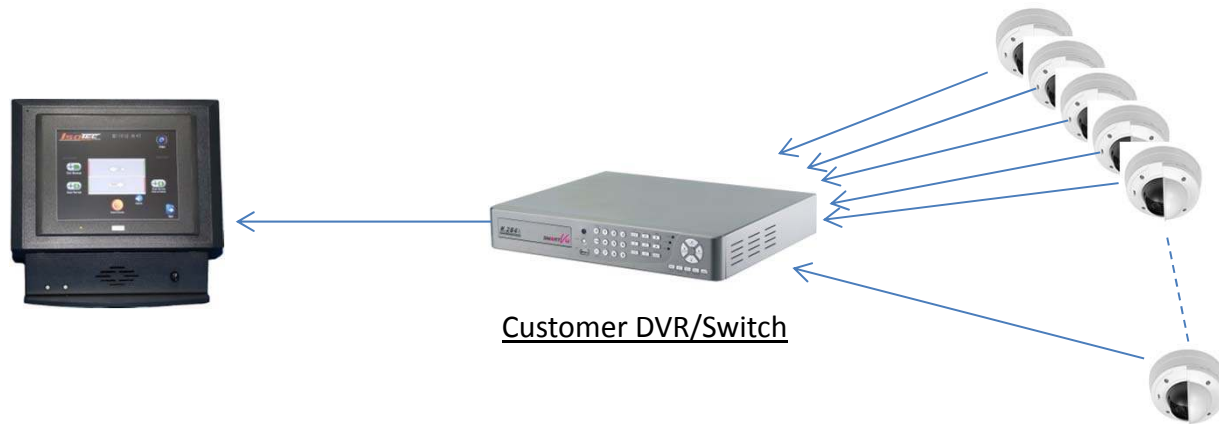


*On Screen
Selection Buttons*



Video Wiring Alternatives

Multi-camera using DVR to switch



Disadvantage: Switch Box takes up space at operator station

Advantage: Can view more than 5 cameras